



# visvAM

**Commitment to Excellence**

## Mechanical Design

Visvam provide a full range of cad drafting and conversion services including Mechanical machine designing and Modification. We approach to mechanical Design yields a significant reduction in time to market and cost. We also having separate Engineering Industry for Fabrication of Machines, Automobiles and Motor Spares parts.

### Our services:

- Engineering analysis
- Mechanical Drawings
- AutoCAD Conversion
- Paper to CAD conversion
- 2D and 3D Modeling , Conversions
- PDF to DWG Conversion
- New product development and prototyping

#### USA

2811 La Frontera Blvd,Apt # 2711  
Austin, TX 78728 Phone: (512) 229-0130  
email: [Sales@visvamtechnologies.com](mailto:Sales@visvamtechnologies.com)

#### INDIA

32A, 2nd St, Jayaprakash Nagar  
Ganapathy, Coimbatore- 641006  
Phone: +91 422-4273240  
email: [Info@visvamtechnologies.com](mailto:Info@visvamtechnologies.com)

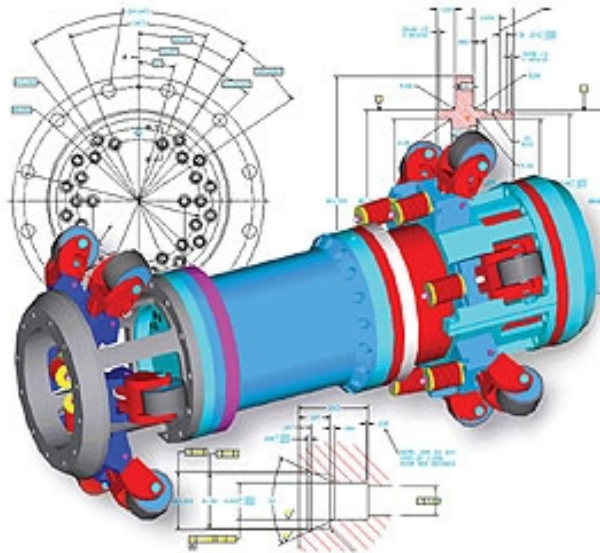


# visvAM

**Commitment to Excellence**

## **Our industry Experience:**

- Automotive
- Hi-tech electronics manufacturing
- Heavy engineering
- Aerospace



### **USA**

2811 La Frontera Blvd, Apt # 2711  
Austin, TX 78728 Phone: (512) 229-0130  
email: [Sales@visvamtechnologies.com](mailto:Sales@visvamtechnologies.com)

### **INDIA**

32A, 2nd St, Jayaprakash Nagar  
Ganapathy, Coimbatore- 641006  
Phone: +91 422-4273240  
email: [Info@visvamtechnologies.com](mailto:Info@visvamtechnologies.com)